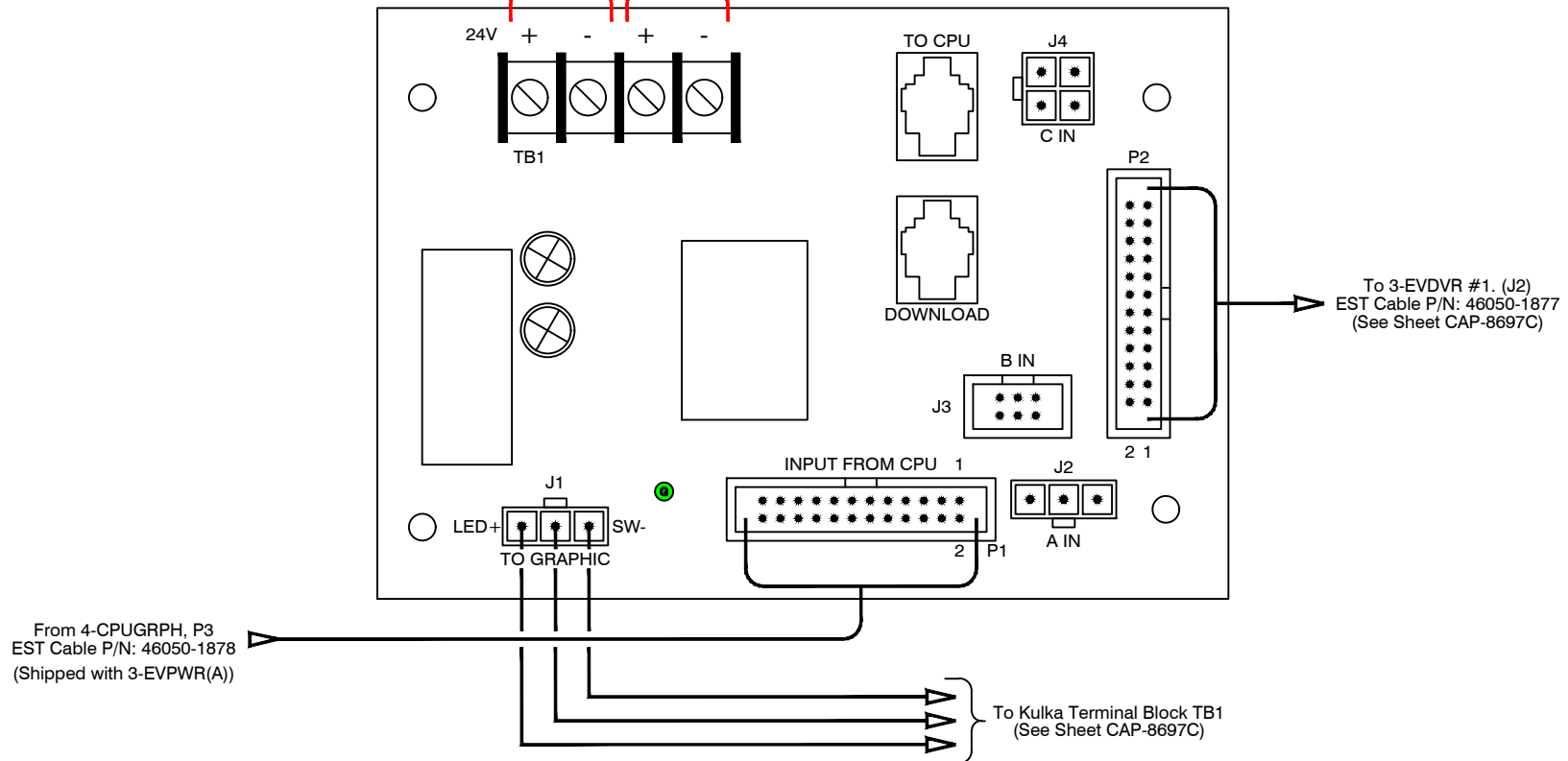


24VDC POWER GOES HERE

24VDC FROM 3-PPS/M,
3-BPS/M POWER RISER
OR MAIN POWER SUPPLY

24VDC TO NEXT
POWER MODULE
(IF NEEDED)



NOTES:

- Before Installation, refer to Installation Instructions for 3-EVPWRA, 3-EVDVRA & 3-EVDVRX (P/N: 287434 Rev. 1.0 (3/2/1998))
- All circuits entering the annunciator enclosure must be power limited as described in UL Standard 864, Section 24A.
- The number next to each switch & L.E.D., (I.E. SW1-2, 1-16), is used to locate the individual Switch or L.E.D. on the graphic panel. Please refer to the accompanying numbered artwork for the actual location of these devices.
- See the accompanying Excel Spreadsheet for detailed wiring information.

DRIVER DIAGRAM	KIRKLAND	H. R. KIRKLAND CO., INC. 4935 Allison Street, Unit 13 Arvada, Colorado 80002 Phone: (800) 247-2303 Fax: (303) 420-1856
	EST-4 3-EVPWR(A) POWER MODULE	DATE: 12 JUNE 2020 BY GG
NEGATIVE FEED	REVISION: ORIGINAL	CAP-8697B SHEET 2 OF 3