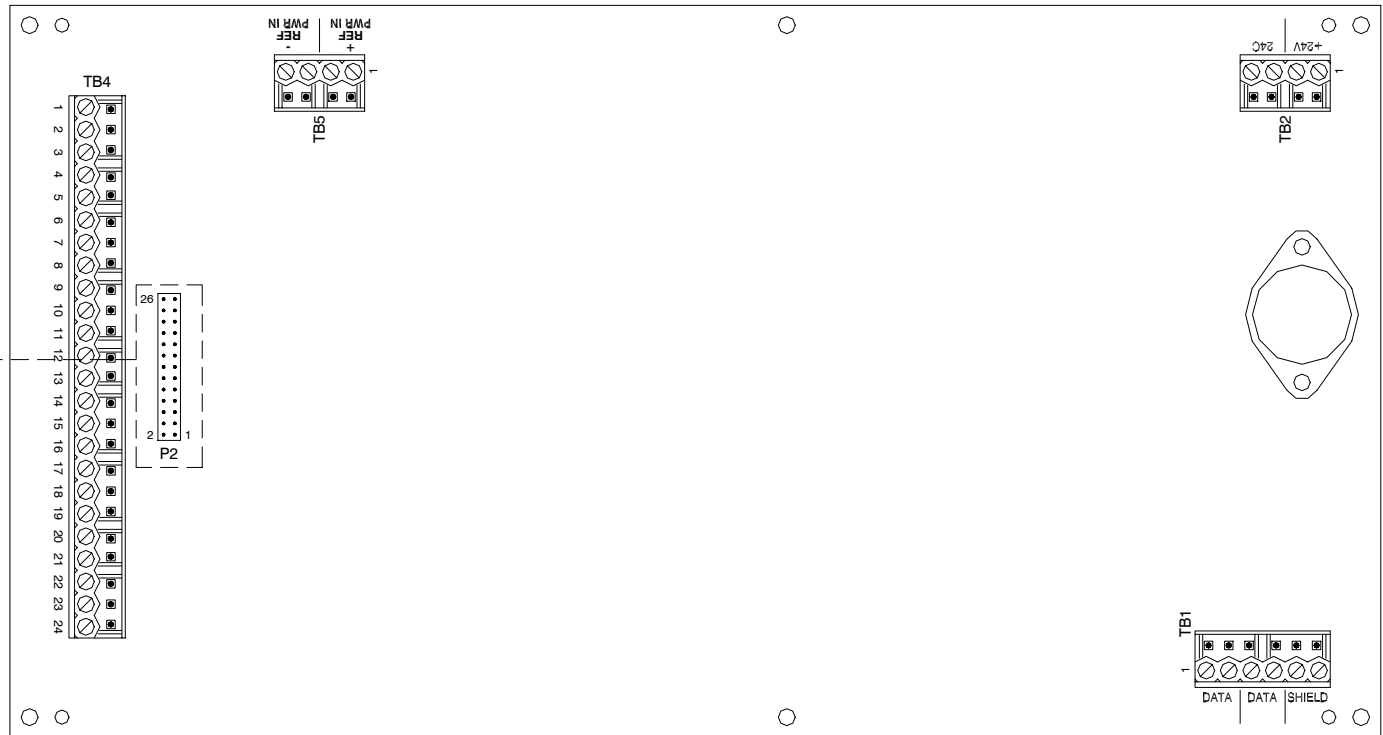
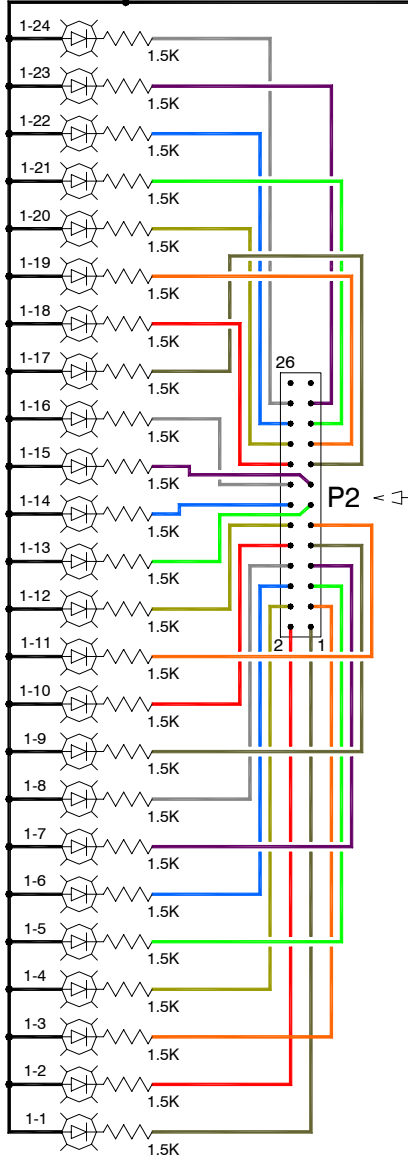


To LED's / Switches on next
4100-7401 Driver Module

24VDC + Device Com. Pos. tagged (24VDC +) for 4100 System. (1) Common per 96 I/O Points



- NOTES:**
- Before installation, refer to Simplex Field Wiring Diagram for the 4100 Graphic I/O LED Annunciator Module.
 - Maintain a min. of 1/2" Clearance around the driver when installed on a Kirkland Backplane. (UL-864)
 - All circuits entering the annunciator enclosure must be power limited as described in UL Standard 864, Section 24A.
 - The LED Outputs are 24VDC Negative Feed (Current limited in the Annunciator. (1.5K))
 - The number next to each switch & LED, (I.E. 1-2, 1-16), is used to locate the individual Switch or LED. on the graphic panel. Please refer to the accompanying numbered artwork for actual location of the devices.
 - See the accompanying Excel Spreadsheet for detailed wiring information.

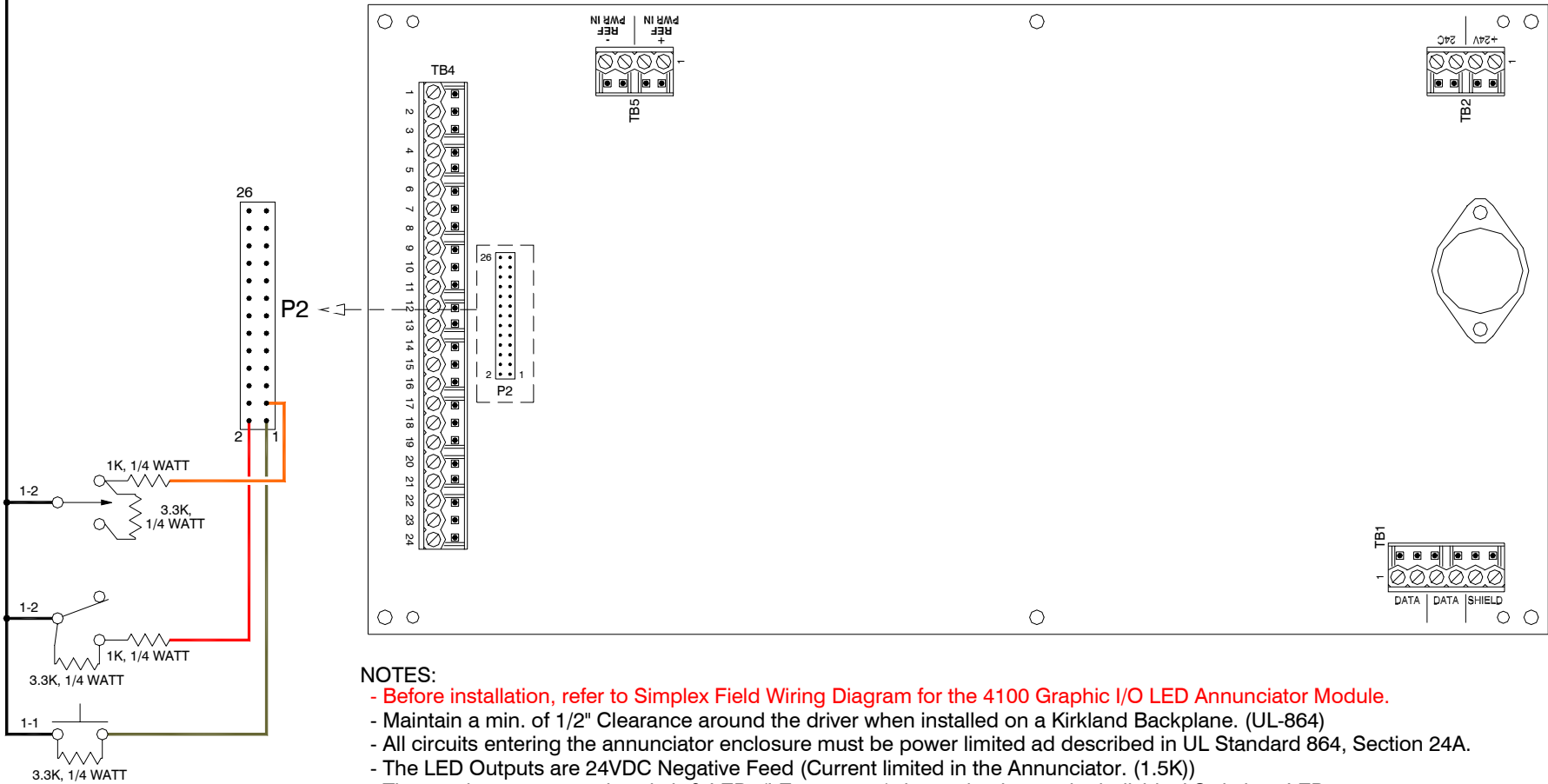
<h1>DRIVER DIAGRAM</h1>	KIRKLAND	H. R. KIRKLAND CO., INC. 4935 Allison Street, Unit 13 Arvada, Colorado 80002 Phone: (800) 247-2303 Fax: (303) 420-1856
	Simplex 4100-7401 Controller Module	DATE: 07 MAY 2003 BY GG
24VDC NEGATIVE FEED	REVISION: FIRST	CAP-8648C SHEET 3 OF 4

To LED's / Switches on next
4100-7401 Driver Module

24VDC +

Device Com. Pos. tagged
(24VDC +) for 4100 System.

(1) Common per 96 I/O Points



NOTES:

- Before installation, refer to Simplex Field Wiring Diagram for the 4100 Graphic I/O LED Annunciator Module.
- Maintain a min. of 1/2" Clearance around the driver when installed on a Kirkland Backplane. (UL-864)
- All circuits entering the annunciator enclosure must be power limited as described in UL Standard 864, Section 24A.
- The LED Outputs are 24VDC Negative Feed (Current limited in the Annunciator. (1.5K))
- The number next to each switch & LED, (I.E. 1-2, 1-16), is used to locate the individual Switch or LED. on the graphic panel. Please refer to the accompanying numbered artwork for actual location of the devices.
- See the accompanying Excel Spreadsheet for detailed wiring information.

DRIVER DIAGRAM



H. R. KIRKLAND CO., INC.
4935 Allison Street, Unit 13
Arvada, Colorado 80002
Phone: (800) 247-2303 Fax: (303) 420-1856

Simplex 4100-7401 Controller Module
24VDC NEGATIVE FEED

DATE: 07 MAY 2003 BY GG
REVISION: FIRST

CAP-8648D
SHEET 4 OF 4