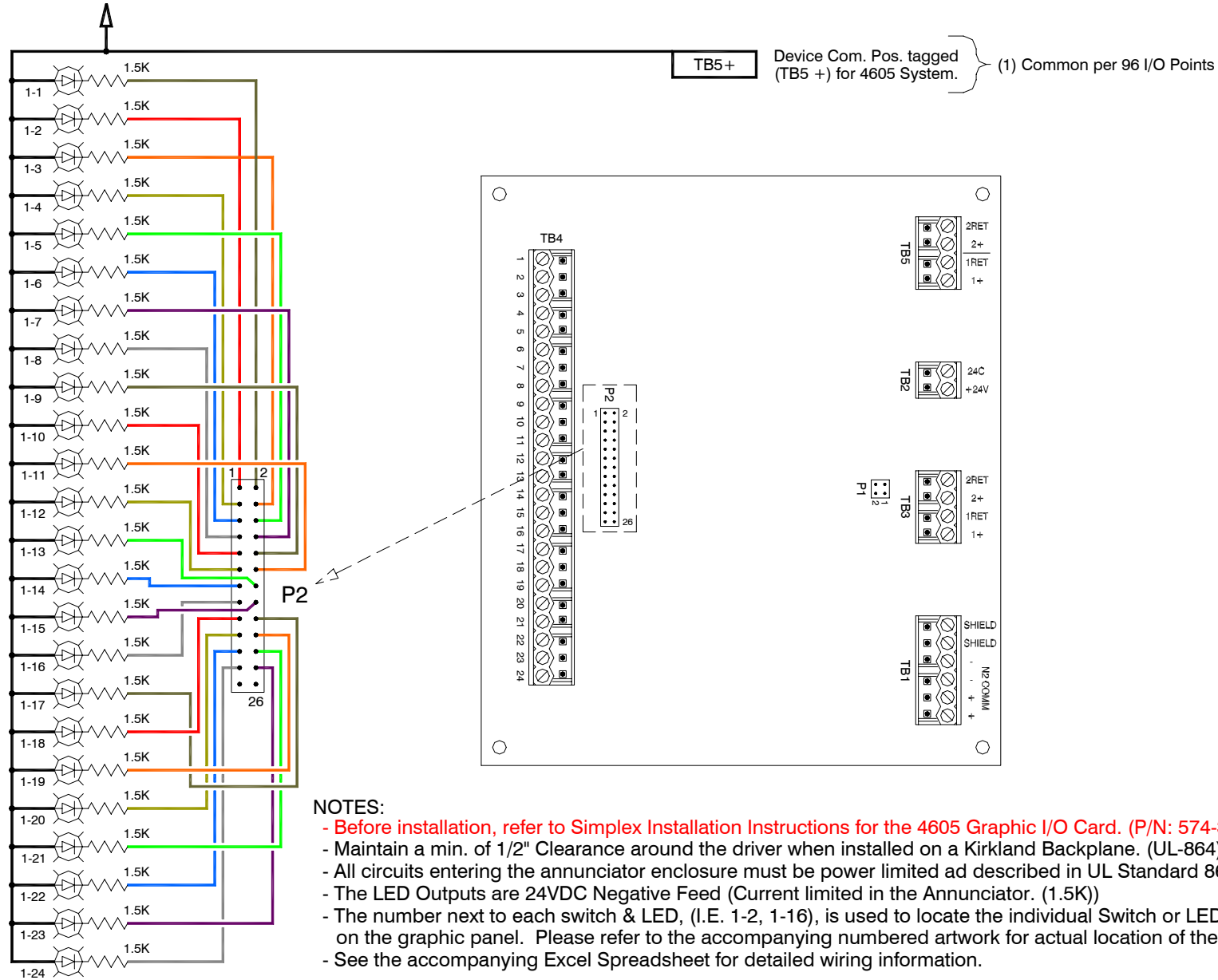


To LED's / Switches on next  
4605-7401 Driver Module



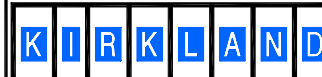
**NOTES:**

- Before installation, refer to **Simplex Installation Instructions for the 4605 Graphic I/O Card. (P/N: 574-348 Rev. B)**
- Maintain a min. of 1/2" Clearance around the driver when installed on a Kirkland Backplane. (UL-864)
- All circuits entering the annunciator enclosure must be power limited as described in UL Standard 864, Section 24A.
- The LED Outputs are 24VDC Negative Feed (Current limited in the Annunciator. (1.5K))
- The number next to each switch & LED, (I.E. 1-2, 1-16), is used to locate the individual Switch or LED. on the graphic panel. Please refer to the accompanying numbered artwork for actual location of the devices.
- See the accompanying Excel Spreadsheet for detailed wiring information.

**DRIVER DIAGRAM**

Simplex 4605-7401 Controller Module

24VDC NEGATIVE FEED



H. R. KIRKLAND CO., INC.  
4935 Allison Street, Unit 13  
Arvada, Colorado 80002  
Phone: (800) 247-2303 Fax: (303) 420-1856

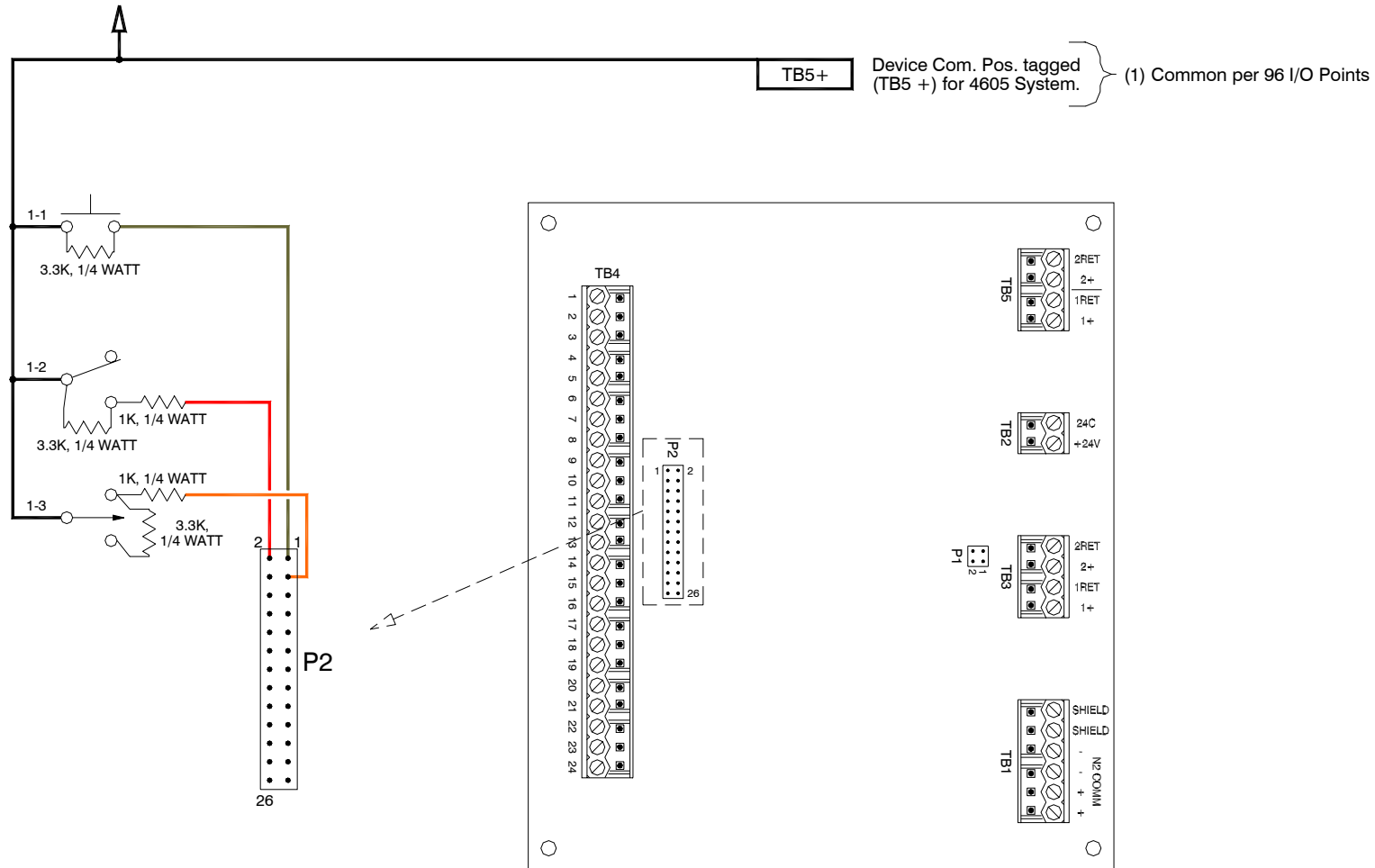
DATE: 07 MAY 2003 BY GG

REVISION: FIRST

**CAP-8648A**

SHEET 1 OF 4

To LED's / Switches on next  
4605-7401 Driver Module



**NOTES:**

- Before installation, refer to Simplex Installation Instructions for the 4605 Graphic I/O Card. (P/N: 574-348 Rev. B)
- Maintain a min. of 1/2" Clearance around the driver when installed on a Kirkland Backplane. (UL-864)
- All circuits entering the annunciator enclosure must be power limited as described in UL Standard 864, Section 24A.
- The LED Outputs are 24VDC Negative Feed (Current limited in the Annunciator. (1.5K))
- The number next to each switch & LED, (I.E. 1-2, 1-16), is used to locate the individual Switch or LED. on the graphic panel. Please refer to the accompanying numbered artwork for actual location of the devices.
- See the accompanying Excel Spreadsheet for detailed wiring information.

**DRIVER DIAGRAM**



H. R. KIRKLAND CO., INC.  
4935 Allison Street, Unit 13  
Arvada, Colorado 80002  
Phone: (800) 247-2303 Fax: (303) 420-1856

Simplex 4605-7401 Controller Module

DATE: 07 MAY 2003 BY GG

**CAP-8648B**

24VDC NEGATIVE FEED

REVISION: FIRST

SHEET 2 OF 4