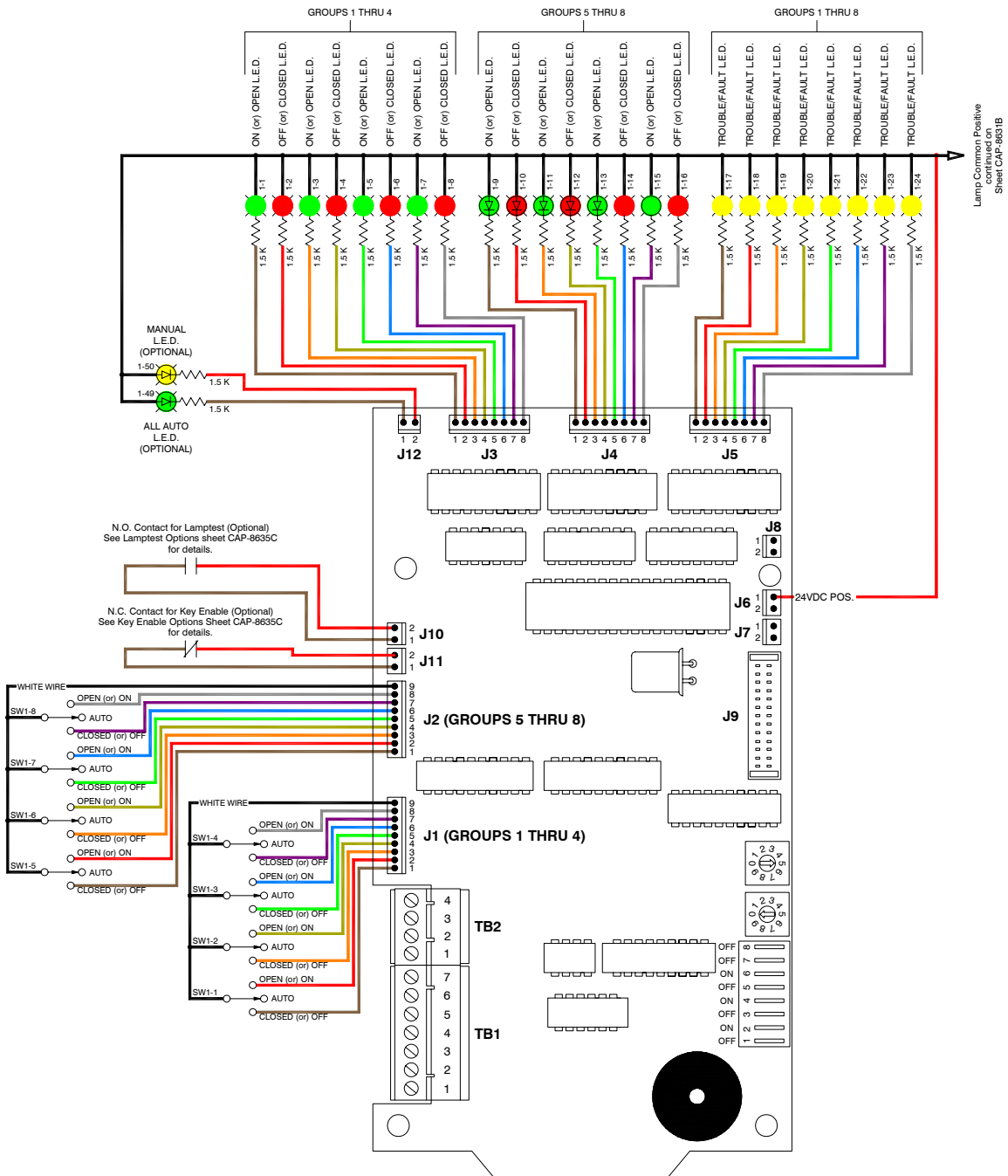


TYPICAL SCS-8L



NOTES:

- Before Installation, refer to Reference Notifier Instruction Sheet: Page 50 SCS/SCE 15712 Rev. C1 09/26/01
- Maintain a minimum of 1/2" Clearance around each driver when installed on a Kirkland Backplane. (UL-864)
- All circuits entering the annunciator enclosure must be power limited as described in UL Standard 864, Section 24A.
- The "All Auto" and "Manual" L.E.D.'s are optional.
- The L.E.D. Outputs are 24VDC Negative Feed (Current limited in Annunciator. (1.5K))
- The number next to each switch & L.E.D., (I.E. SW1-2, 1-16), is used to locate the individual Switch or L.E.D. on the graphic panel. Please refer to the accompanying numbered artwork for the actual location of these devices.
- See the accompanying Excel Spreadsheet for detailed wiring information.

VOLTAGE	LAMP TYPE	RESISTOR (R)	MAX. CURRENT PER POINT
24 VDC	LED	1.5 K	.016 A

DRIVER DIAGRAM



H. R. KIRKLAND CO., INC.
4935 Allison Street, Unit 13
Arvada, Colorado 80002
Phone: (800) 247-2303 Fax: (303) 420-1856

TYPICAL NOTIFIER SCS-8L DIAGRAM

DATE: 15 MAR 2003 BY GG

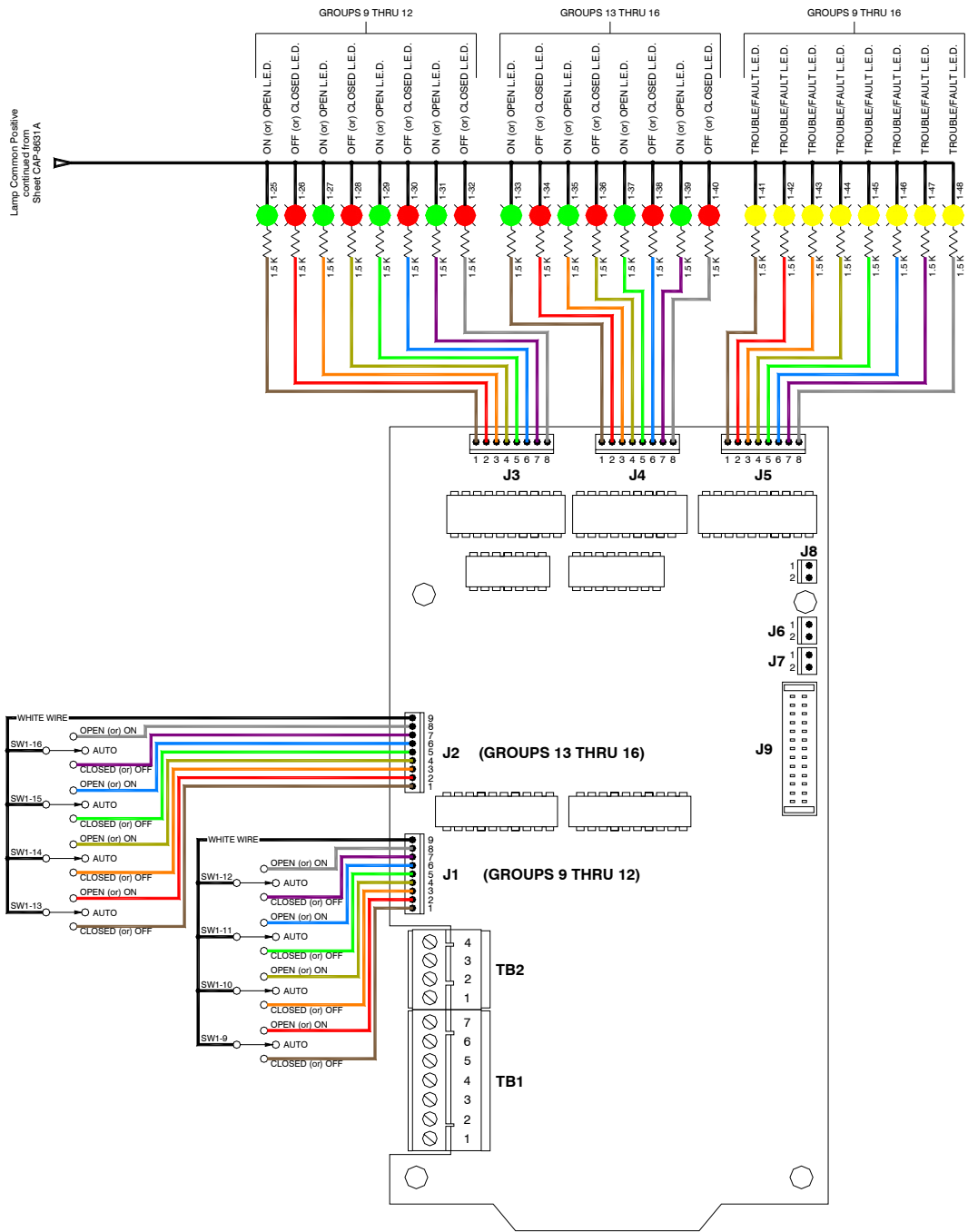
CAP-8631A

24VDC NEGATIVE FEED

REVISION: THIRD

SHEET 1 OF 3

TYPICAL SCE-8L (EXPANDER)



NOTES:

- Before Installation, refer to Reference Notifier Instruction Sheet: Page 50 SCS/SCE 15712 Rev. C1 09/26/01
- Maintain a minimum of 1/2" Clearance around each driver when installed on a Kirkland Backplane. (UL-864)
- All circuits entering the annunciator enclosure must be power limited as described in UL Standard 864, Section 24A.
- The "All Auto" and "Manual" L.E.D.'s are optional.
- The L.E.D. Outputs are 24VDC Negative Feed (Current limited in Annunciator. (1.5K))
- The number next to each switch & L.E.D., (I.E. SW1-2, 1-16), is used to locate the individual Switch or L.E.D. on the graphic panel. Please refer to the accompanying numbered artwork for the actual location of these devices.
- See the accompanying Excel Spreadsheet for detailed wiring information.

VOLTAGE	LAMP TYPE	RESISTOR (R)	MAX. CURRENT PER POINT
24 VDC	LED	1.5 K	.016 A

DRIVER DIAGRAM



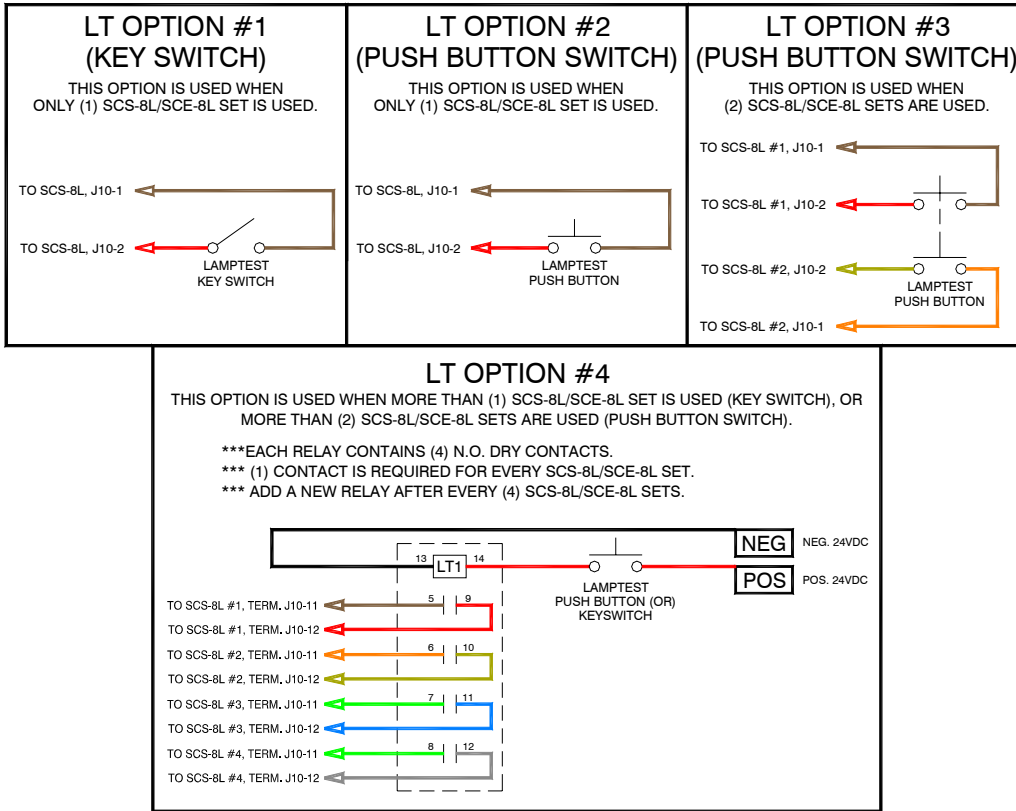
H. R. KIRKLAND CO., INC.
 4935 Allison Street, Unit 13
 Arvada, Colorado 80002
 Phone: (800) 247-2303 Fax: (303) 420-1856

TYPICAL NOTIFIER SCE-8L DIAGRAM
 24VDC NEGATIVE FEED

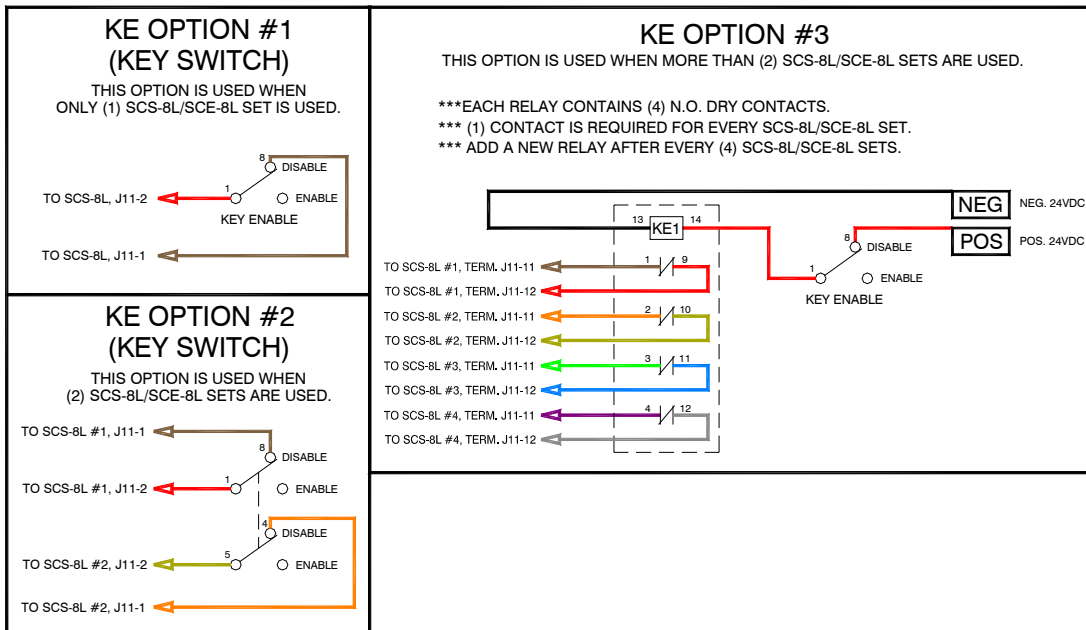
DATE: 15 MAR 2003 BY GG
 REVISION: THIRD

CAP-8631B
 SHEET 2 OF 3

LAMPTEST OPTIONS FOR SCS-8L/SCE-8L DRIVERS



KEY ENABLE OPTIONS FOR SCS-8L/SCE-8L DRIVERS



***AN SCS-8L/SCE-8L SET CONSISTS (1) SCS-8L DRIVER AND (1) SCE-8L EXPANDER DRIVER.

DRIVER DIAGRAM



H. R. KIRKLAND CO., INC.
 4935 Allison Street, Unit 13
 Arvada, Colorado 80002
 Phone: (800) 247-2303 Fax: (303) 420-1856

TYPICAL SCS-8L/SCE-8L OPTIONS SHEET

DATE: 15 MAR 2003 BY GG

CAP-8631C

24VDC NEGATIVE FEED

REVISION: THIRD

SHEET 3 OF 3